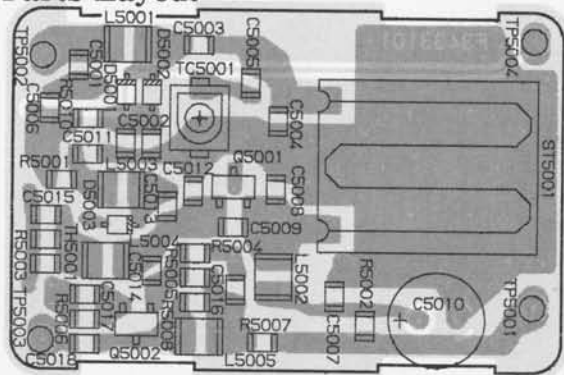
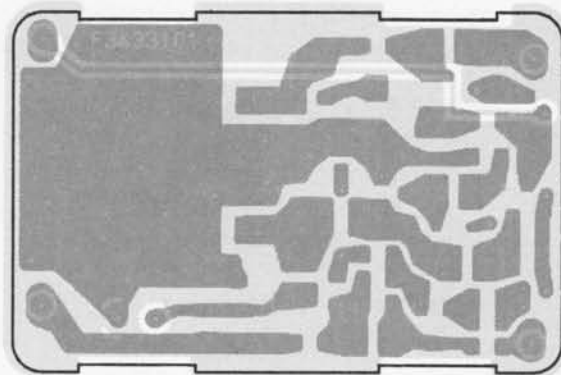


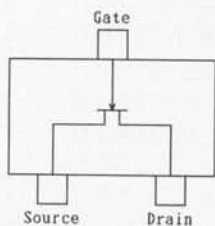
Parts Layout



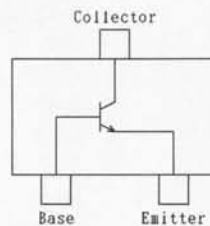
obverse view of component side



obverse view of solder side

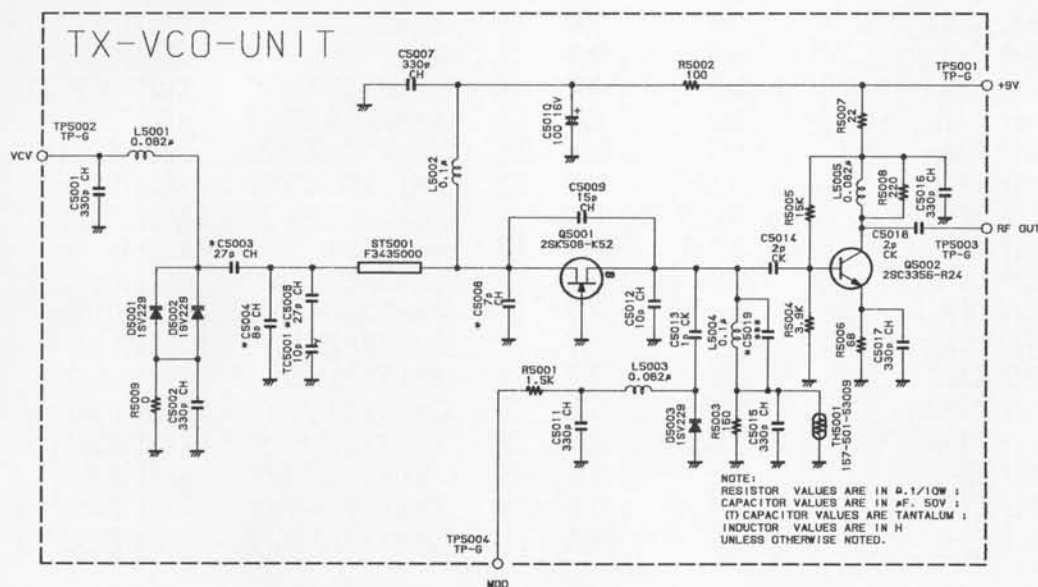


2SK508 (K58)  
(Q5001)



2SC3356 (R24)  
(Q5002)

Circuit Diagram



\*TYPE

	A-BAND	C-BAND	D-BAND	E-BAND	F-BAND
C5003	27P	27P	27P	15P	15P
C5004	7P	10P	8P	10P	7P
C5005	27P	27P	27P	10P	10P
C5008	10P	7P	7P	4P	5P
C5019	-	-	-	2P	1P

TX VCO UNIT

REF.	DESCRIPTION	VALUE	WV	TOL.	MFR'S DESIG	YAESU P/N	VERS.	LOT.
*** TX VCO UNIT ***								
	P.C.B. with Components					CA1257001	TYP D	
	P.C.B. with Components					CA1257002	TYP E	4-
	P.C.B. with Components					CA1257003	TYP F	4-
	P.C.B. with Components					CA1257004	TYP C	5-
	P.C.B. with Components					CA1257005	TYP A	5-
	Printed Circuit Board					F3433101		
	Printed Circuit Board					F3433101A		3-
C 5001	CHIP CAP.	330pF	50V	CH	GRM40CH331J50PT	K22170247		
C 5002	CHIP CAP.	330pF	50V	CH	GRM40CH331J50PT	K22170247		
C 5003	CHIP CAP.	27pF	50V	CH	GRM40CH270J50PT	K22170221	TYP A	5-
C 5003	CHIP CAP.	27pF	50V	CH	GRM40CH270J50PT	K22170221	TYP C	5-
C 5003	CHIP CAP.	27pF	50V	CH	GRM40CH270J50PT	K22170221	TYP D	
C 5003	CHIP CAP.	15pF	50V	CH	GRM40CH150J50PT	K22170215	TYP E	3-
C 5003	CHIP CAP.	15pF	50V	CH	GRM40CH150J50PT	K22170215	TYP F	3-
C 5004	CHIP CAP.	7pF	50V	CH	GRM40CH070D50PT	K22170208	TYP A	5-
C 5004	CHIP CAP.	10pF	50V	CH	GRM40CH100D50PT	K22170211	TYP C	5-
C 5004	CHIP CAP.	8pF	50V	CH	GRM40CH080D50PT	K22170209	TYP D	2-
C 5004	CHIP CAP.	10pF	50V	CH	GRM40CH100D50PT	K22170211	TYP E	5-
C 5004	CHIP CAP.	7pF	50V	CH	GRM40CH070D50PT	K22170208	TYP F	3-
C 5005	CHIP CAP.	27pF	50V	CH	GRM40CH270J50PT	K22170221	TYP A	5-
C 5005	CHIP CAP.	27pF	50V	CH	GRM40CH270J50PT	K22170221	TYP C	5-
C 5005	CHIP CAP.	27pF	50V	CH	GRM40CH270J50PT	K22170221	TYP D	
C 5005	CHIP CAP.	10pF	50V	CH	GRM40CH100D50PT	K22170211	TYP E	5-
C 5005	CHIP CAP.	10pF	50V	CH	GRM40CH100D50PT	K22170211	TYP F	5-
C 5007	CHIP CAP.	330pF	50V	CH	GRM40CH331J50PT	K22170247		
C 5008	CHIP CAP.	10pF	50V	CH	GRM40CH100D50PT	K22170211	TYP A	5-
C 5008	CHIP CAP.	7pF	50V	CH	GRM40CH070D50PT	K22170208	TYP C	5-
C 5008	CHIP CAP.	7pF	50V	CH	GRM40CH070D50PT	K22170208	TYP D	
C 5008	CHIP CAP.	5pF	50V	CH	GRM40CH050C50PT	K22170206	TYP D	2-
C 5008	CHIP CAP.	7pF	50V	CH	GRM40CH070D50PT	K22170208	TYP D	3-
C 5008	CHIP CAP.	4pF	50V	CH	GRM40CH040C50PT	K22170205	TYP E	3-
C 5008	CHIP CAP.	5pF	50V	CH	GRM40CH050C50PT	K22170206	TYP F	3-
C 5009	CHIP CAP.	15pF	50V	CH	GRM40CH150J50PT	K22170215		
C 5010	AL. ELECTRO. CAP.	100uF	16V		RC2-16V101MS (6X7)	K40129038		
C 5011	CHIP CAP.	330pF	50V	CH	GRM40CH331J50PT	K22170247		
C 5012	CHIP CAP.	10pF	50V	CH	GRM40CH100D50PT	K22170211		
C 5013	CHIP CAP.	1pF	50V	CK	GRM40CK010C50PT	K22170202		
C 5014	CHIP CAP.	2pF	50V	CK	GRM40CK020C50PT	K22170203		
C 5015	CHIP CAP.	330pF	50V	CH	GRM40CH331J50PT	K22170247		
C 5016	CHIP CAP.	330pF	50V	CH	GRM40CH331J50PT	K22170247		
C 5017	CHIP CAP.	330pF	50V	CH	GRM40CH331J50PT	K22170247		
C 5018	CHIP CAP.	2pF	50V	CK	GRM40CK020C50PT	K22170203		
C 5019	CHIP CAP.	2pF	50V	CK	GRM40CK020C50PT	K22170203	TYP D	3-
C 5019	CHIP CAP.	1pF	50V	CK	GRM40CK010C50PT	K22170202	TYP F	3-
D 5001	DIODE				1SV229 TPH3	G2070256		
D 5002	DIODE				1SV229 TPH3	G2070256		
D 5003	DIODE				1SV229 TPH3	G2070256		

***TX VCO UNIT***

REF.	DESCRIPTION	VALUE	WV	TOL.	MFGR'S DESIG	YAESU P/N	VERS.	LOT.
L 5001	CHIP COIL	0.082uH			LQN2A82NM	L1690010		
L 5002	CHIP COIL				LQH3N100K02M00-100	L1690087		1-
L 5002	CHIP COIL	0.1uH			LQN1AR10J04	L1690260		3-
L 5003	CHIP COIL	0.082uH			LQN2A82NM	L1690010		
L 5004	CHIP COIL				LQH3N100K02M00-100	L1690087		1-
L 5004	CHIP COIL	0.1uH			LQN1AR10J04	L1690260		3-
L 5005	CHIP COIL	0.082uH			LQN2A82NM	L1690010		
Q 5001	FET				2SK508-T2B K52	G3805087B		
Q 5002	TRANSISTOR				2SC3356-T2B R24	G3333567D		
R 5001	CHIP RES.	1.5K	1/10W	5%	RMC1/10T 152J	J24205152		
R 5002	CHIP RES.	100	1/10W	5%	RMC1/10T 101J	J24205101		
R 5003	CHIP RES.	150	1/10W	5%	RMC1/10T 151J	J24205151		
R 5004	CHIP RES.	3.9K	1/10W	5%	RMC1/10T 392J	J24205392		
R 5005	CHIP RES.	15K	1/10W	5%	RMC1/10T 153J	J24205153		
R 5006	CHIP RES.	68	1/10W	5%	RMC1/10T 680J	J24205680		
R 5007	CHIP RES.	22	1/10W	5%	RMC1/10T 220J	J24205220		
R 5008	CHIP RES.	220	1/10W	5%	RMC1/10T 221J	J24205221		
R 5009	CHIP RES.	0	1/10W	5%	RMC1/10T 000J	J24205000		
ST5001	P.C.B. W/O COMP.					F3435000		
TC5001	TRIMMER CAP.	10pF			TZBX4N100BA110T00	K91000192		
TH5001	THERMISTOR				157-501-53009TP	G9090058		
TP5001	TERMINAL				MK10160	Q5000037		
TP5001	TERMINAL				MK1095	Q5000036		3-
TP5002	TERMINAL				MK10160	Q5000037		
TP5002	TERMINAL				MK1095	Q5000036		3-
TP5003	TERMINAL				MK10160	Q5000037		
TP5003	TERMINAL				MK1095	Q5000036		3-
TP5004	TP-G				MK1095	Q5000036		
	SHIELD CASE					R0136240B		